

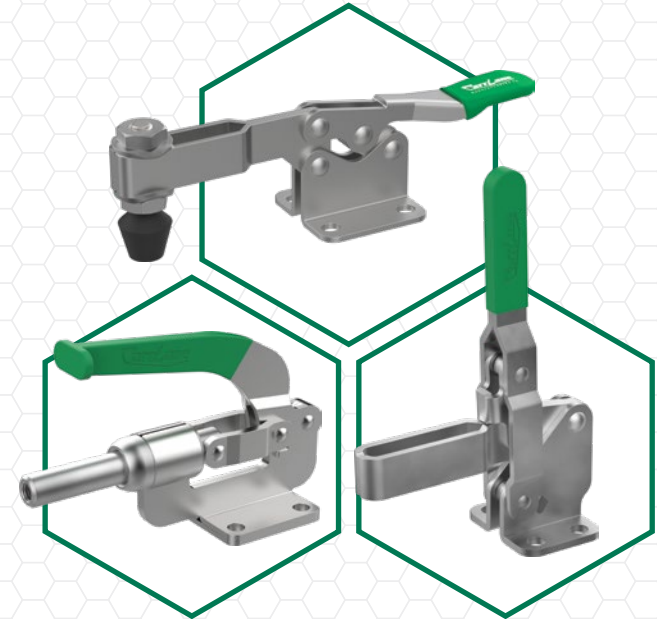
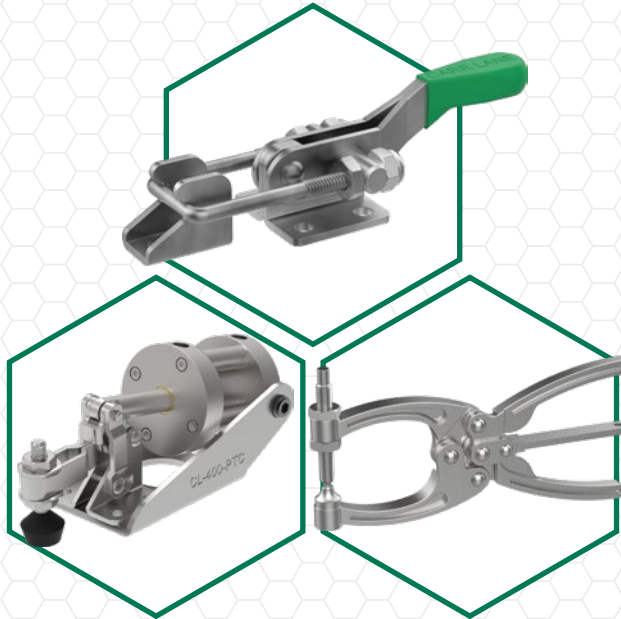
## High-Capacity Toggle Clamp

- Increased Holding Capacity
- Interchangeable with standard VTC
- Hardened bushings at Pivot Points
- Inch / Metric Mounting
- Improved Clearance / Safety



## Accessories

- Large assortment of toggle clamp accessories
- All Carr Lane Mfg. toggle clamp accessories are designed for use with CLM toggle clamps
- Including Clamping Spindles, Flanged Washers, Bolt Retainers and Mounting Brackets
- Two different types of bolt retainers and flanged washers



Carr Lane offers an industry-leading line of heavy-duty toggle clamps including horizontal-handle toggle clamps, vertical-handle toggle clamps, push/pull toggle clamps, latch-action toggle clamps, toggle pliers, air-powered toggle clamps and a complete line of toggle clamp accessories.

# Toggle Clamps

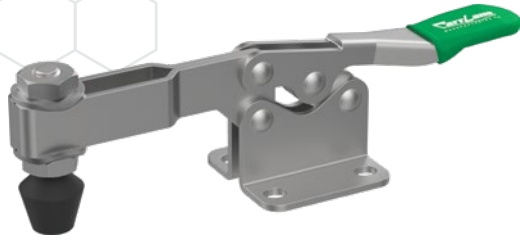
**Have questions about our products? Contact us!**

[www.carrlane.com](http://www.carrlane.com)  
[cs@carrlane.com](mailto:cs@carrlane.com)  
314.647.6200

Follow Us!



**Carr Lane**  
MANUFACTURING CO.



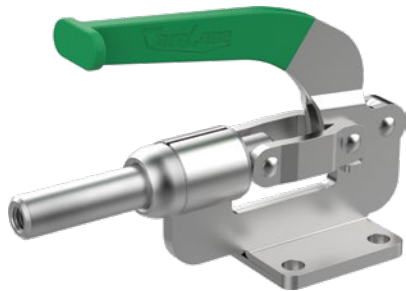
## Horizontal Handle

- Quick-acting hold-down clamps
- Handle locks in horizontal position
- Rotate the handle downward to pivot the clamping arm downward and lock over center
- Available in Standard HTC Design, Low Arm and Extra-Wide Opening



## Vertical Handle

- Handle locks in a vertical position
- Rotate the handle upward to pivot the clamping arm downward and lock over center
- Standard and heavy-duty options capable of providing up to 5,000 lbs of clamping force
- Available in heavy-duty, automatically adjusting, angle arm and standard wide opening vertical toggle clamps



## Push/Pull Clamps

- Sliding plunger provides a straight-line clamping action
- Toggle action moves and locks the plunger in either the push or pull direction
- The most rugged clamp Carr Lane Manufacturing offers, the CL-650-SPC provides a 16,000lb holding capacity
- Available in Standard SPC design, horizontal handle, PC design, threaded body and wagon brakes
- Varieties offer various features and holding capacities
- Wagon Brakes are available with glow-in-the-dark options



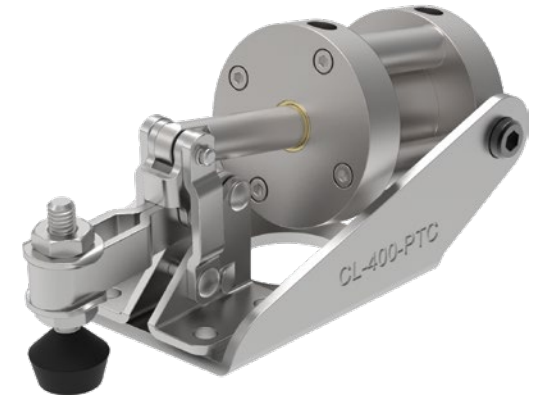
## Latch Action

- Designed for applications where a straight pulling action is needed
- Varieties offer various features and holding capacities
- Available with adjustable U-Bolt, Right Angle Adjustable U-Bolt, Adjustable Hook and Fixed Length



## Latch Clamp

- Latch clamp with a fixed reach for installation where no length adjustment is required
- Frequently used in rotational plastic molding, this clamp is made from stainless steel to better resist deformation, damage, and extend the life of the clamp in high-temperature environments
- 4" drawing movement
- 375 lbs holding capacity



## Air-Powered Clamps

- Double-acting air cylinder
- Pneumatic version of our Toggle Clamps
- Toggle linkage provides high holding capacity and ensures positive mechanical locking even if air pressure fails